

THE FASTLANE®

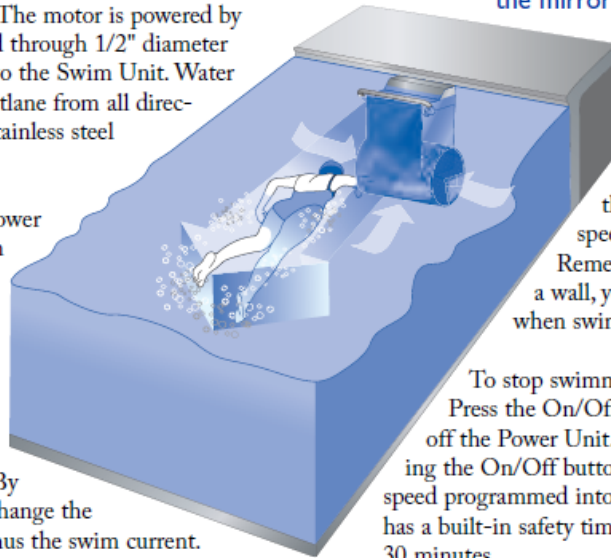
The Fastlane produces a smooth even swim current in any pool. Adjustable from zero up to a 1:10 hundred yard pace (1:16/100 meters) the Fastlane allows you to swim in place for as long as you like. Converts any small pool into a perfect place for fitness swimming.

HOW THE FASTLANE WORKS

The system has two parts: a remotely located Hydraulic Power Unit that powers the swim current and the Swim Unit that mounts poolside. These components are connected by two hydraulic hoses designed to keep electricity away from the water.

The poolside Swim Unit includes a special sealed stainless steel hydraulic motor that turns our custom-designed 16" propeller. An innovative channeling system straightens and smooths the swim current. The motor is powered by hydraulic fluid that is carried through 1/2" diameter hoses from the Power Unit to the Swim Unit. Water enters the bottom of the Fastlane from all directions through a perforated stainless steel (type 316L) intake grill.

The rugged 5 horsepower Power Unit is typically located with your other pool equipment, keeping any electricity away from the pool. The remote Hydraulic Power Unit contains 5 gallons of biodegradable vegetable-based hydraulic fluid that is pumped to the Swim Unit. By varying the flow of oil you change the speed of the propeller and thus the swim current.



USING YOUR FASTLANE

Learning to use your Fastlane takes only seconds. Turn the Fastlane on by pressing the On/Off button on your remote control. Position yourself on the wall opposite the Swim Unit so that you can swim into the current. While it is easy to look up and center yourself on the current, we recommend our optional floor mirror. Placed on your pool bottom, the mirror will help center you in the current as well as provide valuable feedback on your stroke.



When changing the speed with the Slower and Faster buttons on your remote control, wait a few seconds for the current to adjust. Set the water speed at a comfortable level for your needs. Remember, since you never stop and turn at a wall, you will tire 20% to 30% faster than when swimming laps.

To stop swimming, simply swim out of the current. Press the On/Off button on your remote control to turn off the Power Unit. Restart whenever you want by pressing the On/Off button. The current will return to the last speed programmed into the remote. In addition, the Fastlane has a built-in safety timer that shuts the current off after 30 minutes.

A Fastlane is not a toy. It is a serious swimming machine intended for fitness swimming. It should never be used by children without proper adult supervision.

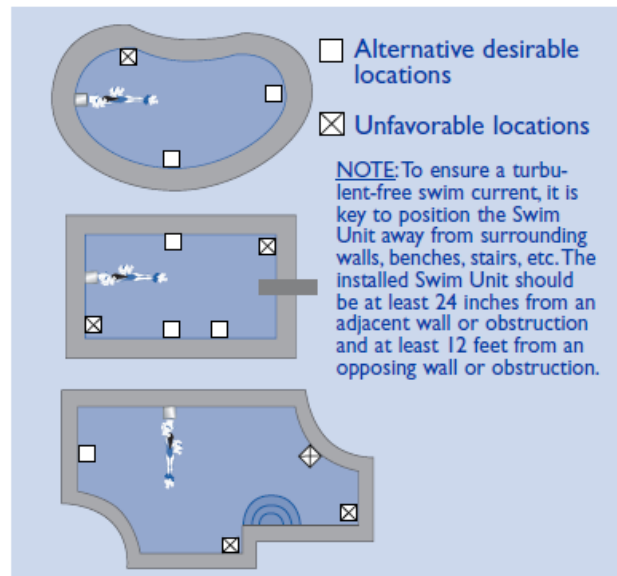
CHOOSING A LOCATION FOR YOUR SWIM UNIT

The Fastlane can be installed in virtually any new or existing in-ground concrete, gunite, masonry, vinyl-lined or fiberglass pool, and in many aboveground pools as well. The Swim Unit can be placed in water as shallow as 35". Generally speaking, if the pool is deep enough for swimming, it's deep enough for a Fastlane.

Your Fastlane arrives via UPS and can be installed in any pool. Once electricity is brought to the Power Unit, a reasonably handy homeowner can attach the Deck Mount Fastlane to an existing pool deck and be swimming in an hour or two. A pool contractor, however, will typically install the Wall Mount Fastlane during the pool's construction. The cost and complexity of each task is site dependent.

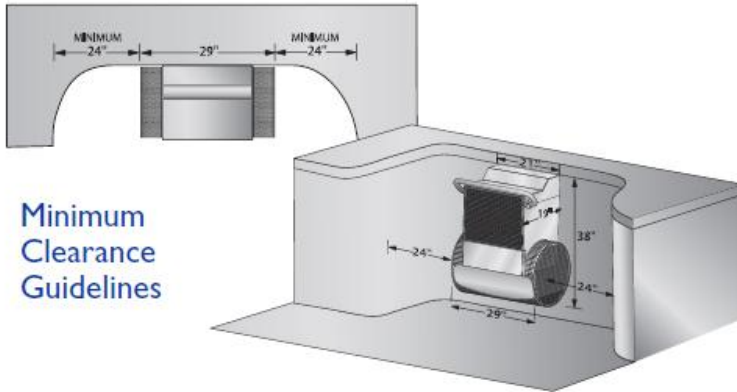
The Swim Unit must be installed no closer than 24" from any adjacent wall.

Select a location for the Swim Unit that is at least 12' from the opposing wall of the pool (see diagram to the right). This will provide you a luxurious "lane" to swim in.



WALL MOUNT FASTLANE FOR NEW CONSTRUCTION

The Wall Mount Fastlane attaches directly to your pool wall with the use of a wall mount bracket. The hydraulic hoses that carry the fluid from the Power Unit to the Swim Unit and back are hidden in the pool wall and under the pool deck. Because the wall mount bracket is imbedded in the pool wall, the Wall Mount Fastlane is ideal for new pool construction or pool refurbishment.



Minimum Clearance Guidelines

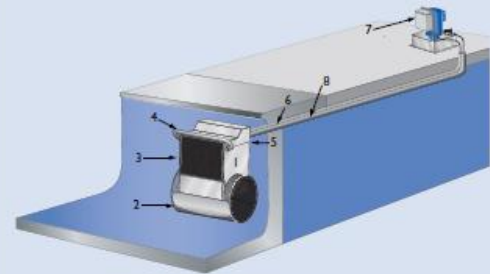
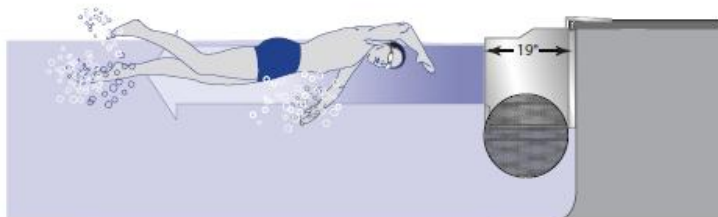


DECK MOUNT FASTLANE FOR EXISTING POOLS

The Deck Mount Fastlane can be installed in any pool at any time. A deck mount hose cover conceals the hydraulic hoses and is attached to the pool deck. The hydraulic hoses that carry the fluid from the Power Unit to the Swim unit and back run along your pool deck or can be hidden in a trench. The Deck Mount Fastlane will typically be installed in an existing backyard pool. If winterizing a pool, the Deck Mount Fastlane should be removed and stored for the off-season. The hydraulic fluid that remains in the hoses will not freeze even in cold climates.

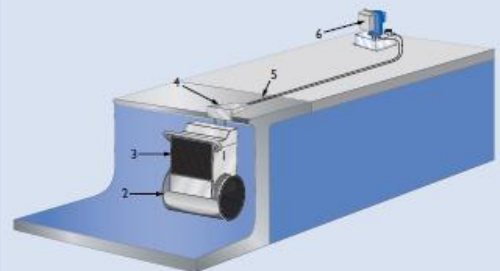
If installing the Deck Mount Fastlane in an existing pool, there must be 12" of solid decking from the water's edge to the mounting site because the Swim Unit is bolted to the pool deck. If your decking is not this wide, a small concrete pad can be poured to secure the mounting bracket.

When installed, the Fastlane Swim Unit extends 19" into your pool and 18" onto the pool deck.



The Wall Mount Fastlane System

1. Swim Unit
2. Intake grill
3. Outlet grill
4. Stainless steel grab rail
5. Wall Mount Bracket
6. Two 1" flexible polyethelene conduits
7. Power Unit
8. Hydraulic Hose System. The Wall Mount Fastlane Swim Unit is connected to the Hydraulic Power Unit by two hydraulic hoses. Two 25-foot lengths of hose are included with your Fastlane. Additional hydraulic hose is available for purchase.



The Deck Mount Fastlane System

1. Swim Unit
2. Intake grill
3. Outlet grill
4. Deck Cover
5. Hydraulic Hoses
6. Power Unit

Hose Management Systems. The Deck Mount Fastlane comes standard with hose clips to secure the hoses to the pool deck. There are two additional options to manage the hoses.

Option 1: Deck Drain: A 2"-wide, 4"-deep trench across the deck accommodates our Deck Drain channel with attractive snap-on cover.

Option 2: Conduit: If you wish to hide these hoses completely, you can use appropriate conduit material which may be buried under the pool deck. Please call your design representative.

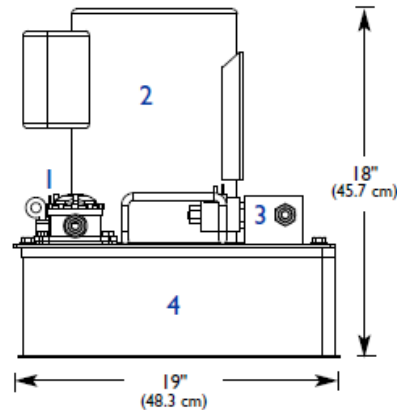
EQUIPMENT PLACEMENT

Hydraulic Power Unit

The 5 hp Power Unit pumps hydraulic fluid (non-food grade vegetable oil) that turns the propeller and generates the swim current. The Power Unit operates only when the swim current is on. The Power Unit can be located adjacent to your other pool equipment. If placed outside, the optional Outdoor Power Unit with Weather Guard should be purchased to protect it from the everyday elements. The Power Unit should not be subjected to driving rain and must be placed on solid ground. This is an air-cooled unit and must have ample ventilation. A minimum of 12" air space must be provided on all sides. In addition, while frequent access is not required, it is imperative the Power Unit is accessible for general maintenance.

Power Unit

1. Return line from the Swim Unit to the Power Unit
2. 5 hp electric motor
3. Pressure line from Power Unit to propeller with pressure relief valve, factory set to 4.8 GPM
4. Hydraulic fluid reservoir with hydraulic gear pump



ELECTRICAL REQUIREMENTS

It is imperative that the Fastlane installation complies with the National Electric Code Article 680 Swimming Pools and Similar Installations and any other applicable local codes and ordinances. The Fastlane is ETL listed, Ref. #2001770, and CE listed. A licensed electrician can help with this review and must perform all electrical work. Below are some of the most important considerations.

Ground Fault Circuit Interrupters (GFCI)

All equipment provided by Endless Pools, Inc. and all associated pool equipment must be protected by GFCI. These GFCI circuits must be tested monthly.

Power Unit Connections

The Fastlane requires a single 30-Amp, 220-Volt GFCI circuit to operate. An electrician must install a disconnect box within 6 feet of the Power Unit location.

Bonding

Both the Swim Unit and Power Unit have bonding lugs. Proper bonding with a #8 or larger solid copper wire is required.

GENERAL CONSIDERATIONS

Pools utilizing salt chlorine generators can pose a significant hazard to pool equipment, including a Fastlane. While we use the finest 316L stainless steel available, proper bonding and water chemistry control become critical. Refer specifically to our warranty.



Endless Pools, Inc.
1601 Dutton Mill Rd
Aston, PA 19014-2831
www.endlesspools.com
swim@endlesspools.com
800.732.8660 US
0800.520.0433 UK
610.497.8676 Local
610.497.9328 Fax



2008 VGB Compliant